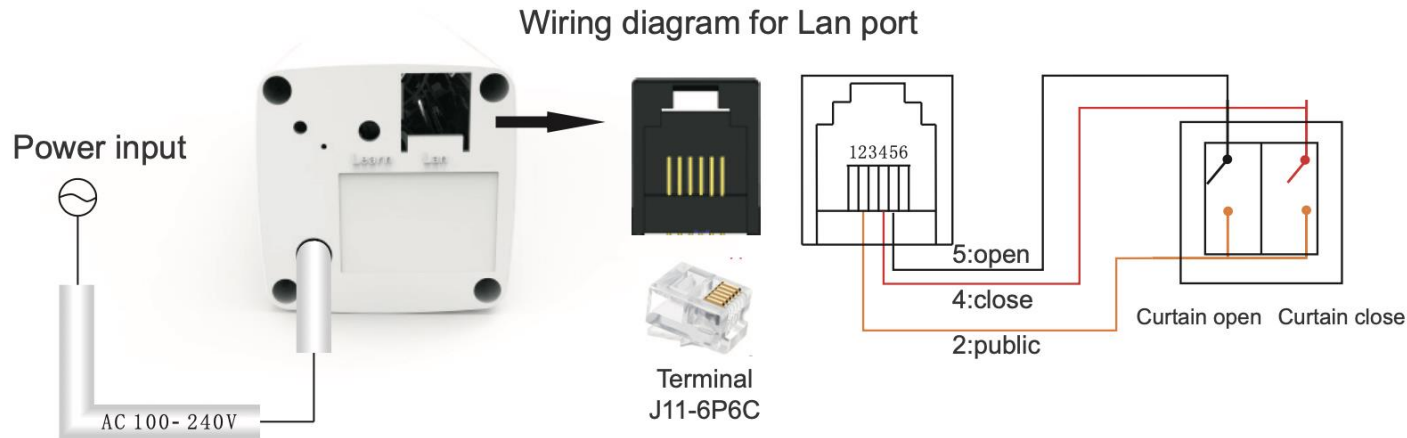


Some of the Abalon motors can be installed using a wall switch:

3-wire motor options:

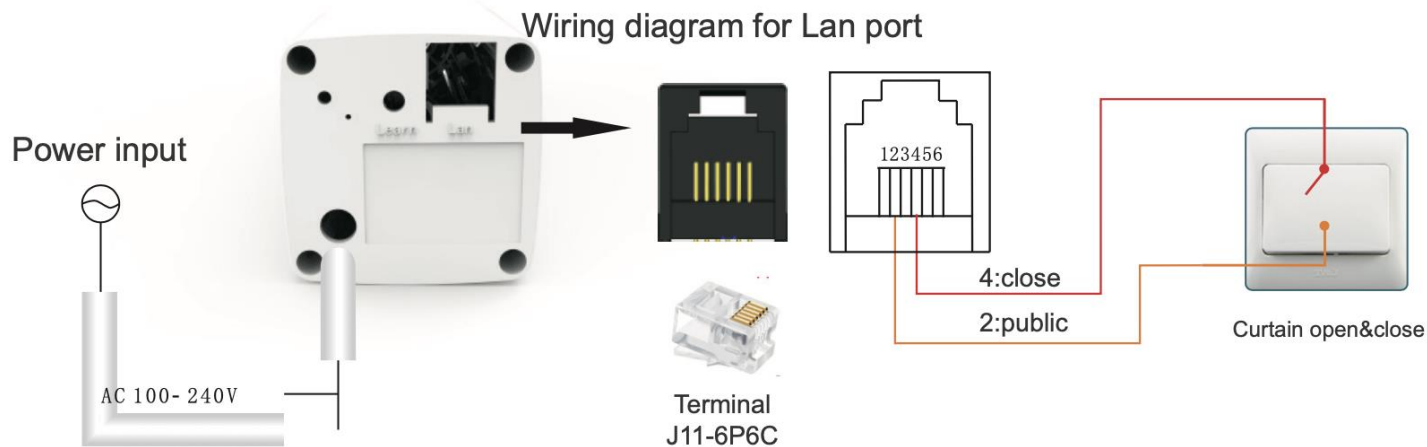
Wiring for weak current double button switch



The switch type of weak current double button switch

1. Interlock switch
Motor control mode should be mode 1.
2. Reset switch
Motor control mode should be mode 2.

Wiring for weak current single button switch

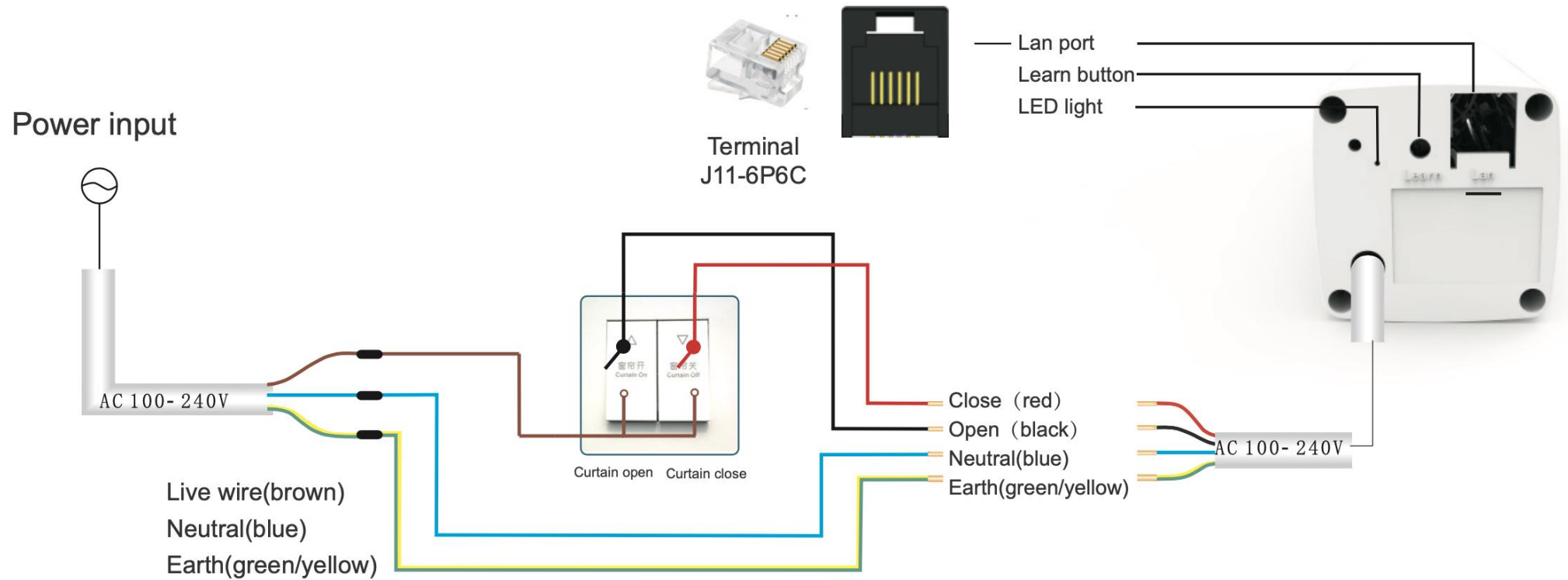


The switch type of weak current single button switch

- Reset switch
Motor control mode should be mode 3.

4-wire motor options:

Wiring for strong current double interlock switch



5-wire motor options:

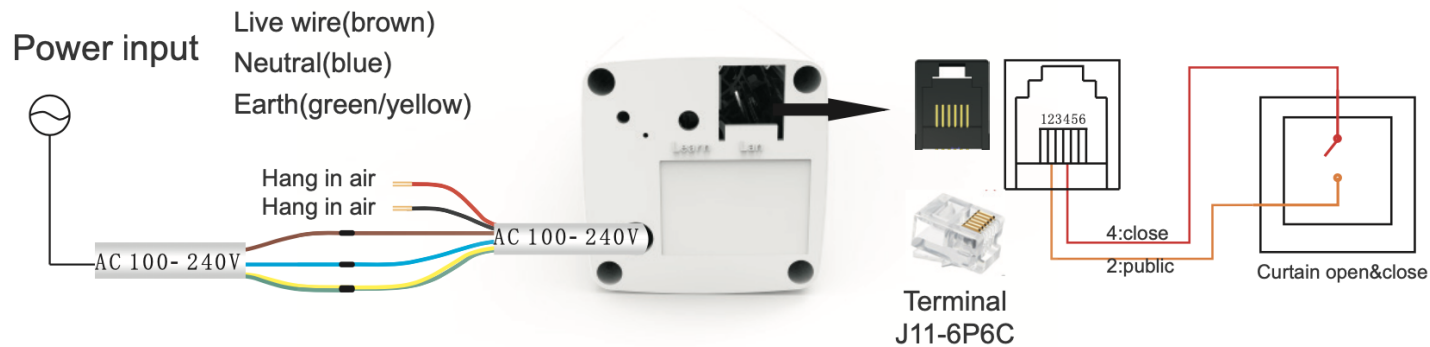
Wiring for weak current double button switch



The switch type of weak current double button switch

- 1.Interlock switch
Motor control mode should be mode 1.
- 2.Reset switch
Motor control mode should be mode 2.

Wiring for weak current single button switch

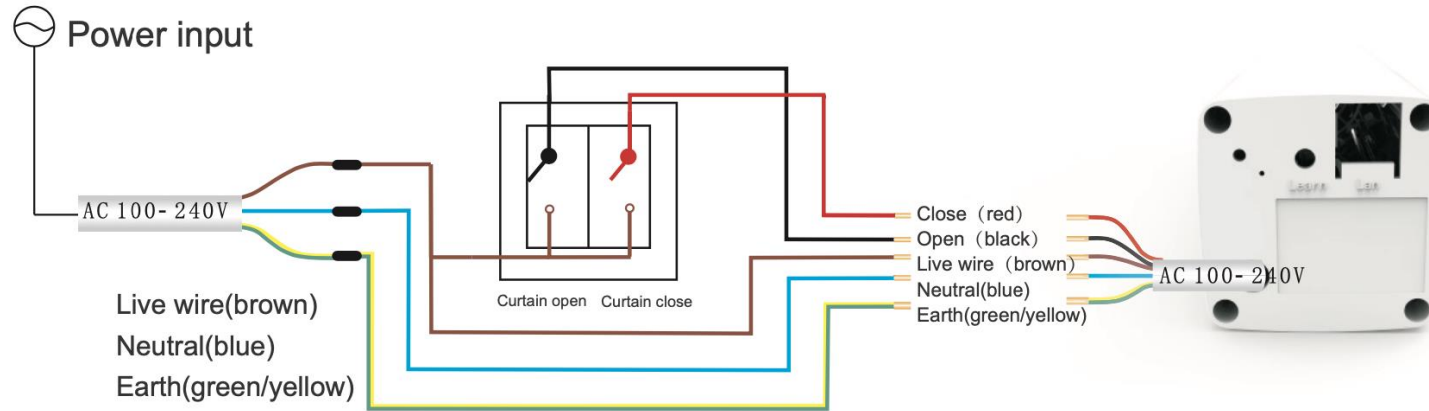


The switch type of weak current single button switch

- Single reset switch
Motor control mode should be mode 3.

5-wire motor options:

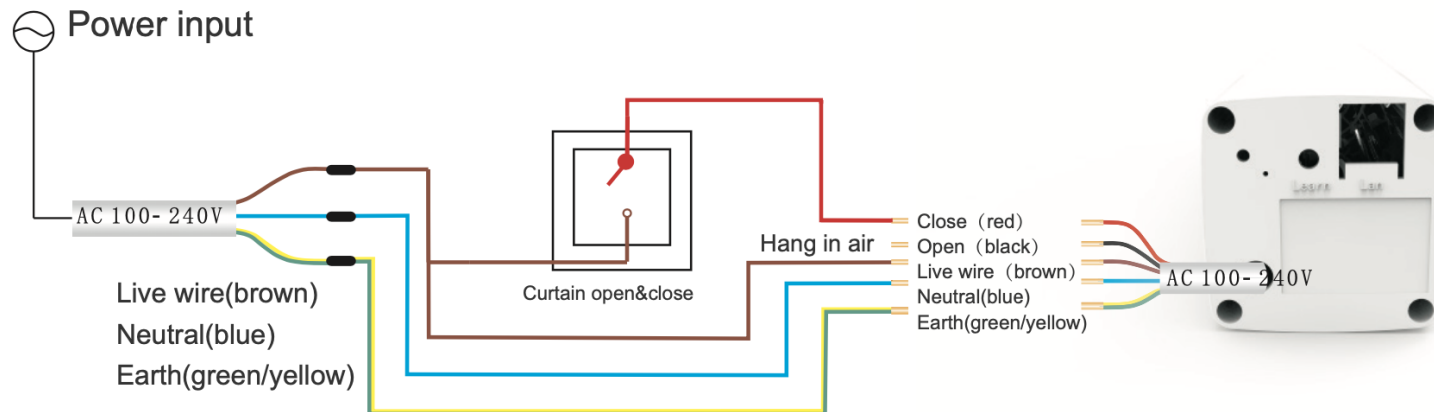
Wiring for strong current double button switch



The switch type of strong current double button switch

1. Interlock switch
Motor control mode should be mode 1.
2. Reset switch
Motor control mode should be mode 2.

Wiring for strong current single button switch



The switch type of strong current single button switch

- Single reset switch
Motor control mode should be mode 3.