

TECHNICAL SPECIFICATIONS

Kit	2
Motor	5
Remote Control	12
Installation	14



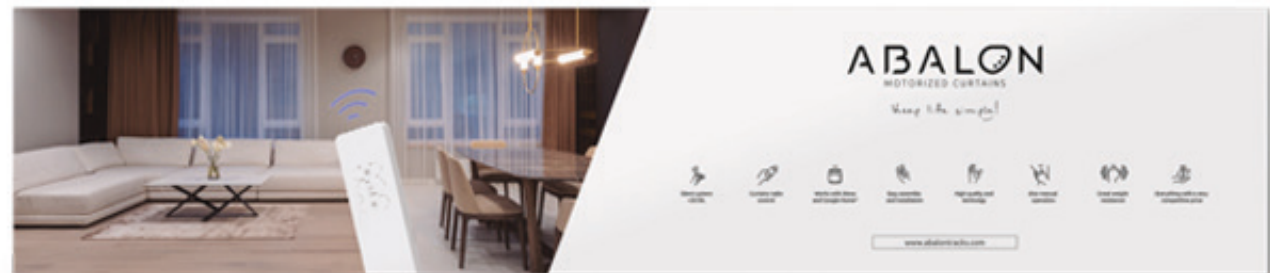
ABALON
MOTORIZED CURTAINS

Keep life simple!

ABALON
MOTORIZED CURTAINS

Keep life simple!

TECHNICAL SPECIFICATIONS: ABALON KIT



TECHNICAL SPECIFICATIONS: ABALON KIT

ABALON
MOTORIZED CURTAINS

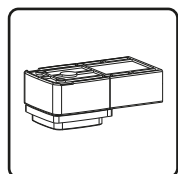
Keep life simple!

In every ABALON KIT, you find the following components:

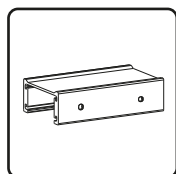
REFERENCE	NAME	SPECIFICATIONS	REFERENCE	NAME	SPECIFICATIONS
2010/2010BL ^(**)	Profile	1 of 0,1m, 2 of 0,2m, 1 of 0,5m and the remaining are 1m long.	2908	Runners	8 units per meter
2221	Pulleys [sets]	1 set	2429 ^(*)	Master carrier for Perfect Wave system	1 set
2221P ^(*)	Pulleys (WS) [sets] ^(*)	1 set	2910 ^(*)	Carriers for Perfect Wave system	Profile length [m]
2009	Belt and measurement tool	1 set	2907/2907BL ^(**)	Connectors [units]	1 unit per 2m of profile
2427	Master Carrier	2 set	See next pages	Remote control	1 unit
2508/2508B ^(**)	Ceiling bracket	1 unit per meter + 1	See next pages	Motor	1 unit
2510/2510B ^(**)	Wall squares	1 unit per meter + 1			

(*) Only for Perfect Wave system (in replacement of 2221, 2427 and 2908). Possibility of discount for professionals.

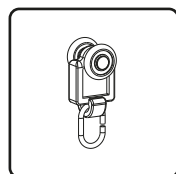
(**) Component in white



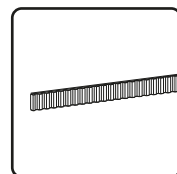
Motor
Pulleys



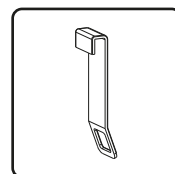
Connectors



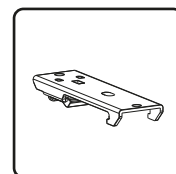
Runners



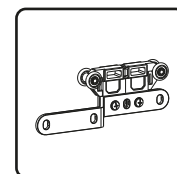
Belt



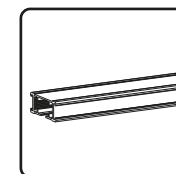
Hooks



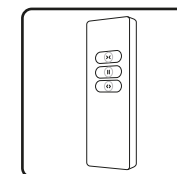
Brackets



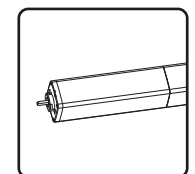
Master
Carriers



Profile



Control



Motor

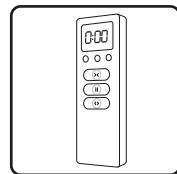
TECHNICAL SPECIFICATIONS: ABALON KIT

ABALON
MOTORIZED CURTAINS

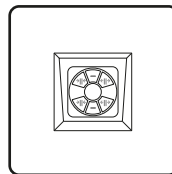
Keep life simple!

Apart from what it is included in the kit, there are also additional components to address other installations:

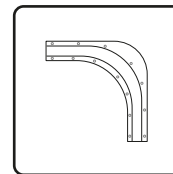
REFERENCE	NAME	SPECIFICATIONS
2011	90° Angle	1 set
2012	135° Angle	1 set
BE316L	Multi-channel remote control	1 unit
2005	Wall remote (not wired)	1 unit



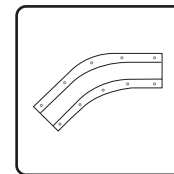
Multi-channel
remote control



Wall Remote



90° Angle



135° Angle

ABALON
MOTORIZED CURTAINS

Keep life simple!

TECHNICAL SPECIFICATIONS: MOTORS



TECHNICAL SPECIFICATIONS: MOTORS

ABALON
MOTORIZED CURTAINS

Keep life simple!

There is a wide range of ABALON motors with different features:

REFERENCE	NAME	POWER	WIFI CONTROL	RADIO CONTROL	COMPATIBLE WITH HOME AUTOMATION SYSTEMS	WIRES	UNITARY PRICE <small>(NOT INCLUDING VAT)</small>	SPECIFICATIONS
BCM100D-RS485	MOTOR RS	Electric current	No	Yes	Yes (bus-control)	3	97,00 €	With RS-485
BCM100DC	MOTOR 4C	Electric current	No	No	Yes	4	92,00 €	Used in hotels
BCM100D5X	MOTOR 5C	Electric current	No	Yes	Yes	5	102,00 €	Used in hotels
BCM100D5X-ZW	MOTOR 5C - ZWAVE	Electric current	No	Yes	Z-wave	5	104,00 €	ZWAVE BOX needed**
BCM100DB	MOTOR BAT	Lithium Battery	No	Yes	No	3	250,00 €	Low consumption. 5-month autonomy.
BCM100D-TZ	MOTOR TY - ZIGBEE	Electric current	Yes	Yes	Zigbee 3	3	116,00 €	Compatible with Tuya, Alexa, Google Home...
BCM300KNX	MOTOR KNX	Electric current	No	Yes	KNX	3	460,00 €	-
BCM700D-TY	MOTOR TY (40W)	Electric current	Yes	Yes	Yes	3	116,00 €	Compatible with Tuya, Alexa, Google Home...
BCM500DS-TYW	MOTOR TY (80W, 2Nm)	Electric current	Yes	Yes	Yes	3	148,00 €	Compatible with Tuya, Alexa, Google Home...

(*) Possibility of discount for professionals.

(**) ZWAVE BOX needed Ref.: ZWAVE Price: 68,00 €

TECHNICAL SPECIFICATIONS: MOTORS

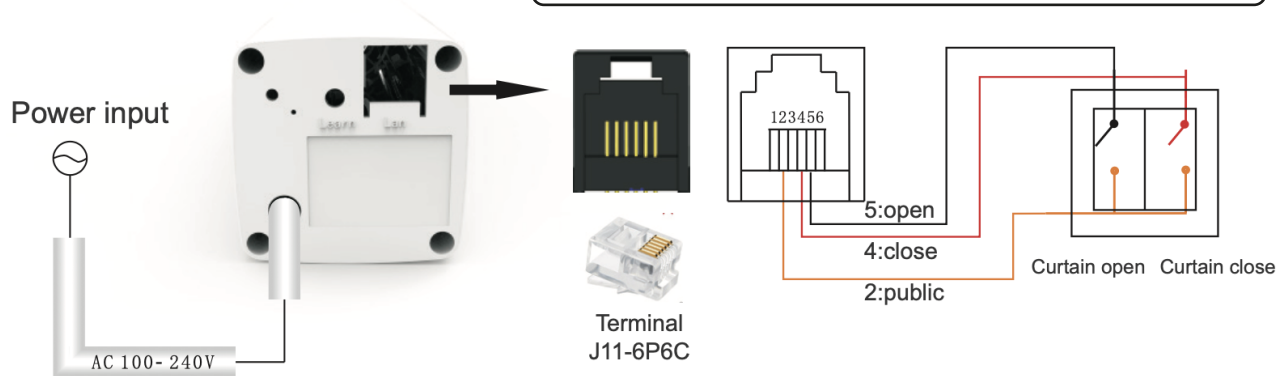
ABALON
MOTORIZED CURTAINS

Keep life simple!

Apart from the remote controlling, some of the ABALON motors can also be installed using a wall switch:

3-wire motor options:

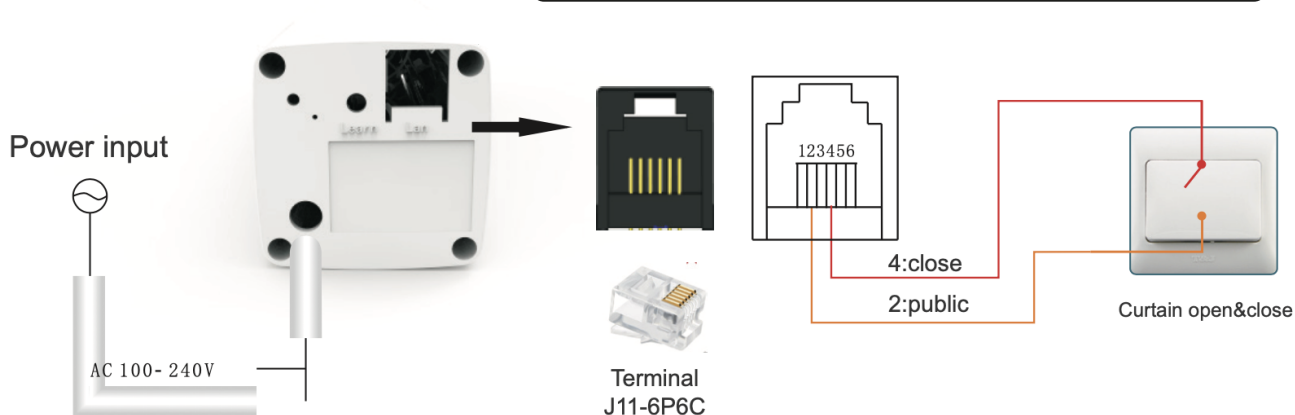
Wiring for weak current double button switch



The switch type of weak current double button switch

1. Interlock switch
Motor control mode should be mode 1.
2. Reset switch
Motor control mode should be mode 2.

Wiring for weak current single button switch



The switch type of weak current single button switch

- Reset switch
Motor control mode should be mode 3.

TECHNICAL SPECIFICATIONS: MOTORS

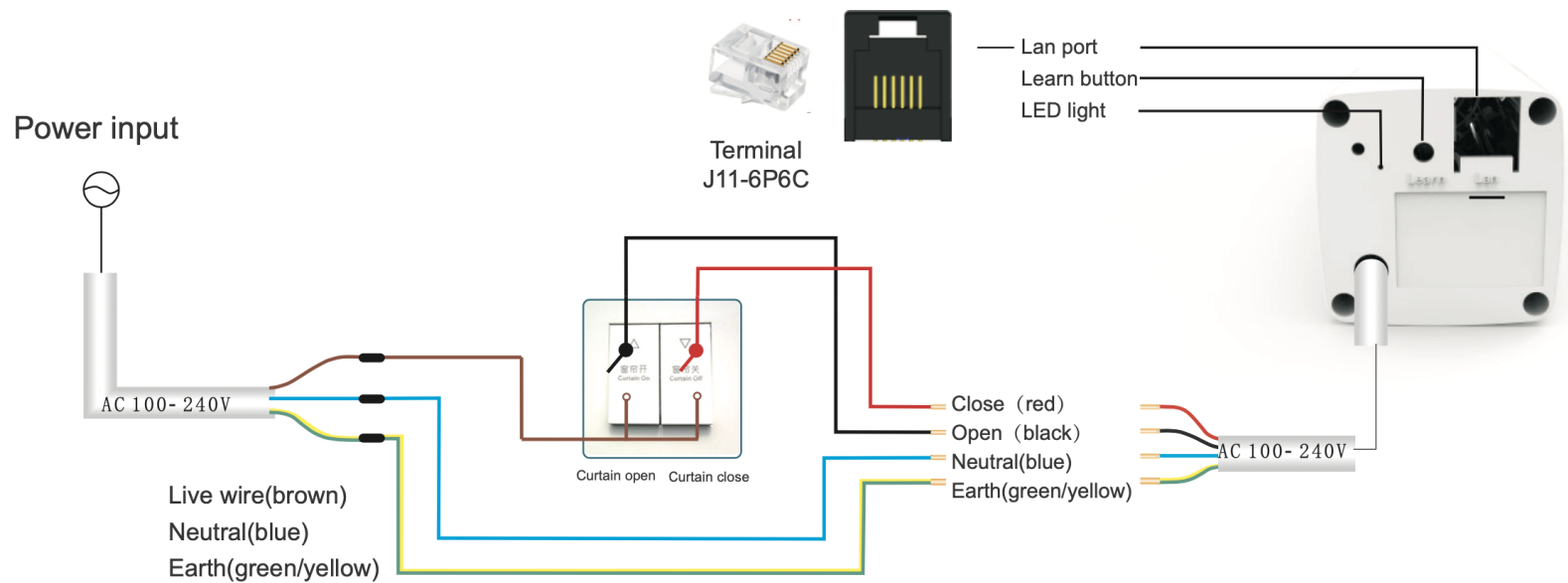
ABALON
MOTORIZED CURTAINS

Keep life simple!

Apart from the remote controlling, some of the ABALON motors can also be installed using a wall switch:

4-wire motor options:

Wiring for strong current double interlock switch



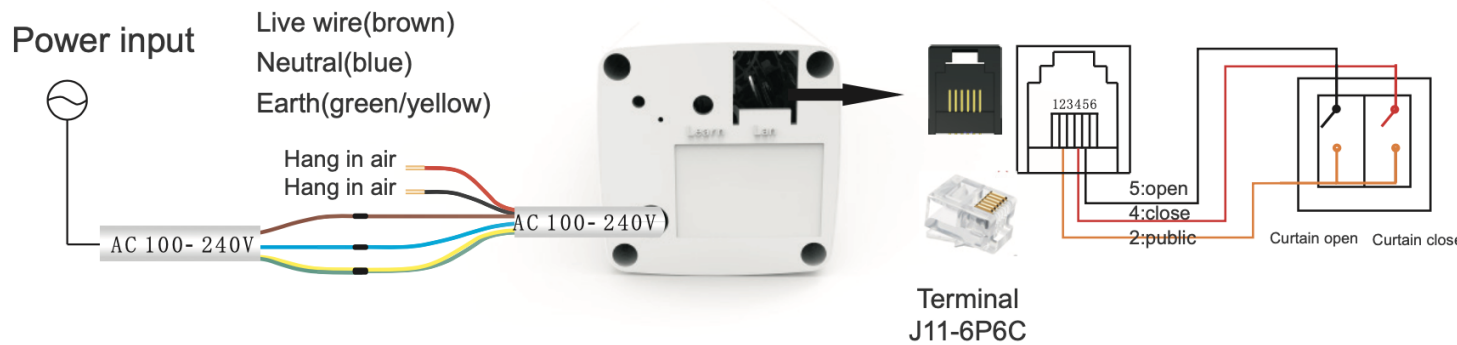
TECHNICAL SPECIFICATIONS: MOTORS

Keep life simple!

Apart from the remote controlling, some of the ABALON motors can also be installed using a wall switch:

5-wire motor options:

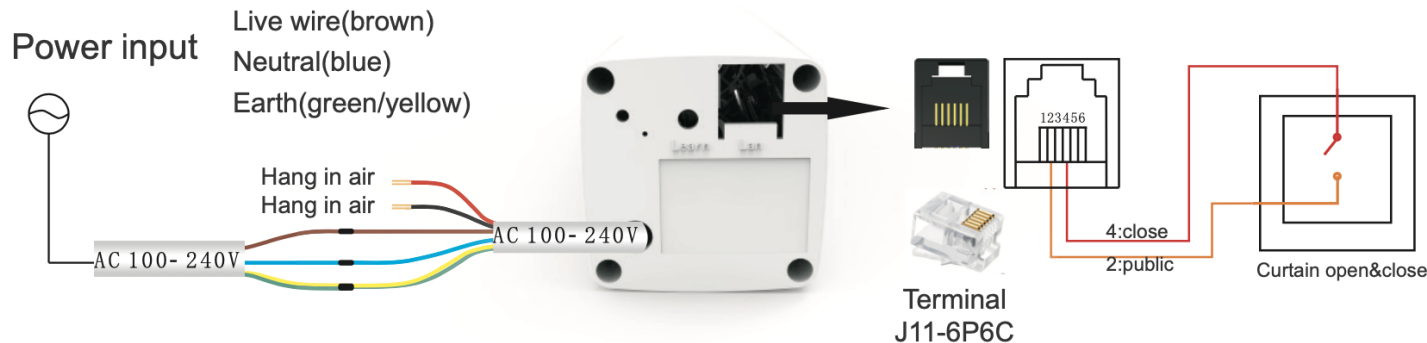
Wiring for weak current double button switch



The switch type of weak current double button switch

1. Interlock switch
Motor control mode should be mode 1.
2. Reset switch
Motor control mode should be mode 2.

Wiring for weak current single button switch



The switch type of weak current single button switch

- Single reset switch
Motor control mode should be mode 3.

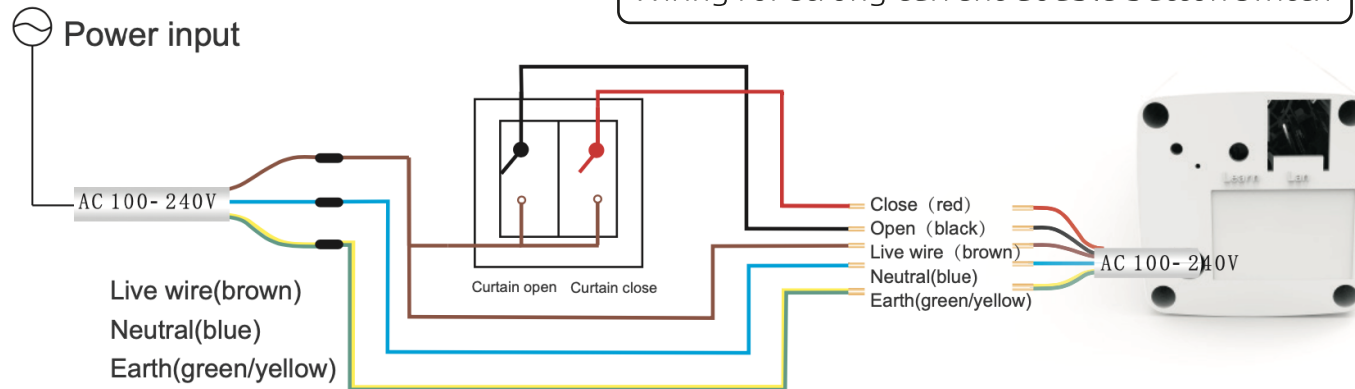
TECHNICAL SPECIFICATIONS: MOTORS

Keep life simple!

Apart from the remote controlling, some of the ABALON motors can also be installed using a wall switch:

5-wire motor options:

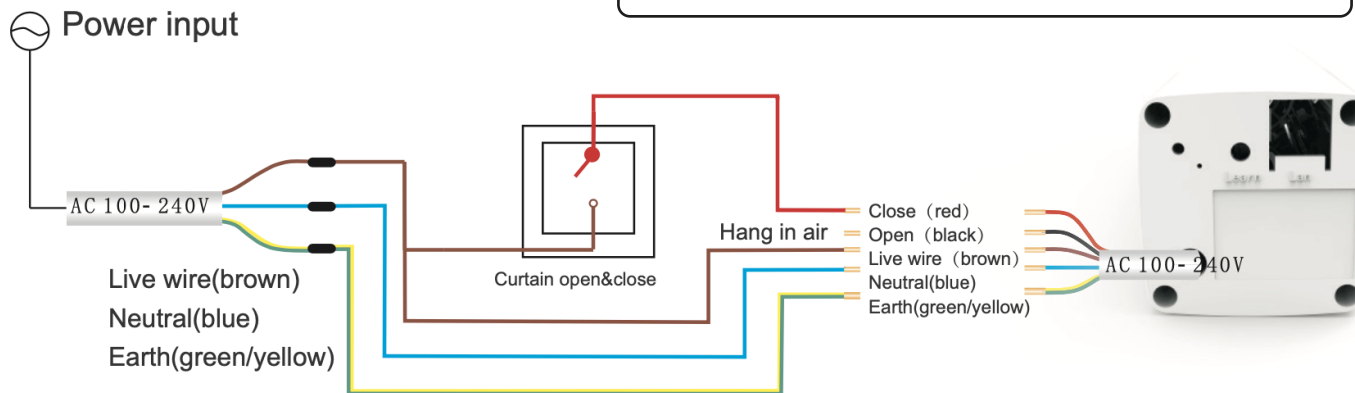
Wiring for strong current double button switch



The switch type of strong current double button switch

- 1. Interlock switch
- Motor control mode should be mode 1.
- 2. Reset switch
- Motor control mode should be mode 2.

Wiring for strong current single button switch



The switch type of strong current single button switch

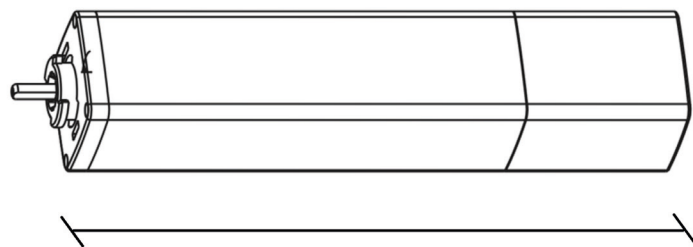
- Single reset switch
- Motor control mode should be mode 3.

TECHNICAL SPECIFICATIONS: MOTORS

ABALON
MOTORIZED CURTAINS

Keep life simple!

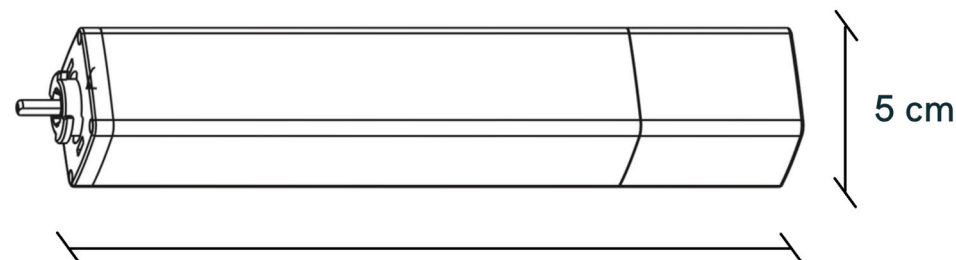
Find below the technical specifications of the ABALON motors:



25.8 cm (*) ()**

* All motors except BCM500DS-TYW

** The antenna of BCM700D-TY is 11cm long



34 cm (*)**

*** BCM500DS-TYW

5 cm

- Weight: ~ 2 kg
- Color: white
- Integrated AC / DC converter (*)
- Voltage: AC 110V ~ 230V (*)
- Power: 40W (**)

- Cable length: 80 cm
- Radio control: > 50 m (*)
- Protection: IP20
- Nominal torque: 12 Nm

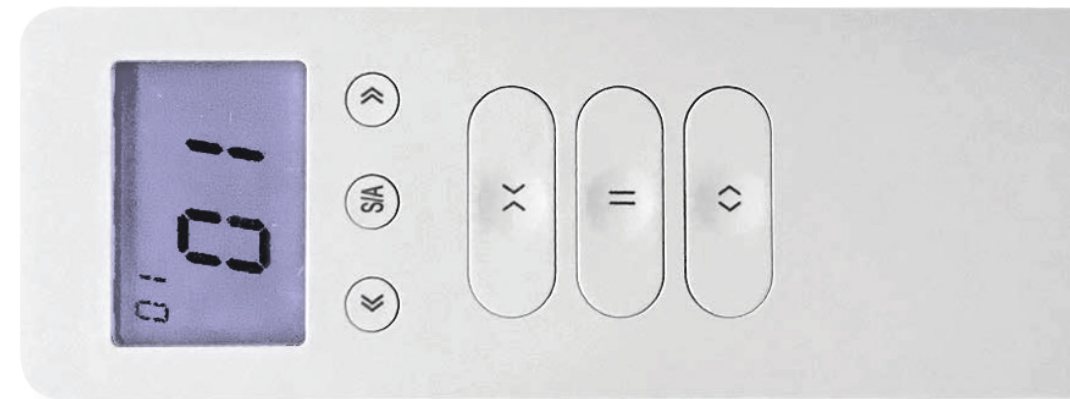
*except BCM100DC (AC 12V)

** except BCM500DS-TYW (power: 80W)

ABALON
MOTORIZED CURTAINS

Keep life simple!

**TECHNICAL SPECIFICATIONS:
REMOTE CONTROL**



TECHNICAL SPECIFICATIONS: CONTROLS

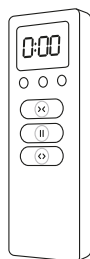
ABALON
MOTORIZED CURTAINS

Keep life simple!

You can find the ABALON remote control that best suits your needs:

REFERENCE	NAME	POWER	CHANNELS*	BRACKET MOUNT	UNITARY PRICE <small>(NOT INCLUDING VAT)</small>	SPECIFICATIONS
2005	W ALL REMOTE 2C	1 button cell 3V (CR2032)	2	Yes	14,80 €	Used in hotels
BE302	REMOTE 2C	2 batteries 1,5V (AAA)	2	Yes	14,80 €	Included in kits
BE316L	REMOTE 16L	2 batteries 1,5V (AAA)	16	Yes	18,40 €	-

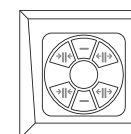
(*) 8 motorized tracks can be introduced on each channel. The commands will be the same for all. Possibility of discount for professionals.



Remote control

The remote control comes with a wall bracket.

- 12.9 x 4.4 x 1.1 cm
- Frequency: 433.92 MHz
- Output power: 10 mW
- Work temperature: -10 ~50oC



Wall Remote

- 8 x 8 x 1.9 cm
- Frequency: 433.92 MHz
- Output power: 10 mW
- Work temperature: -10 ~50oC

ABALON
MOTORIZED CURTAINS

Keep life simple!

TECHNICAL SPECIFICATIONS: INSTALLATION

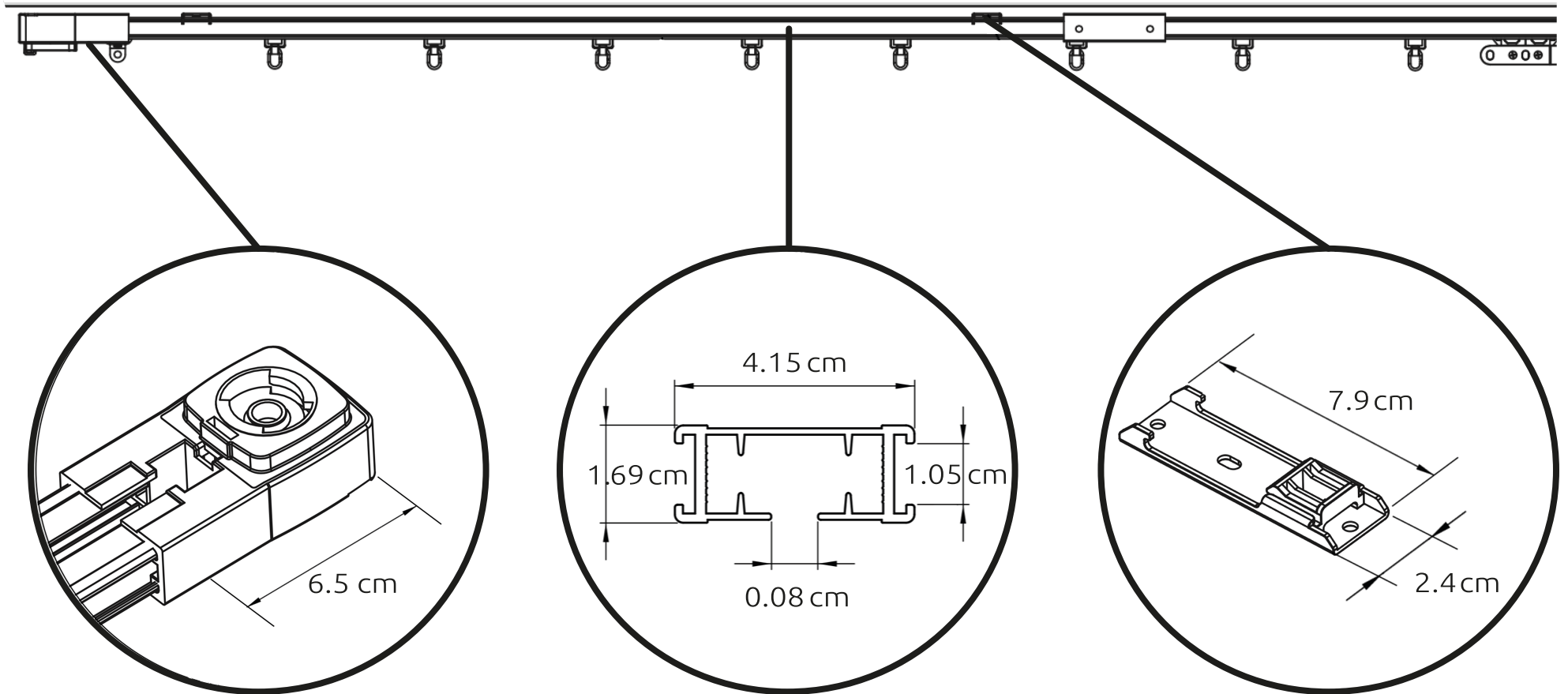


TECHNICAL SPECIFICATIONS: INSTALLATION

ABALON
MOTORIZED CURTAINS

Keep life simple!

These are some relevant dimensions:



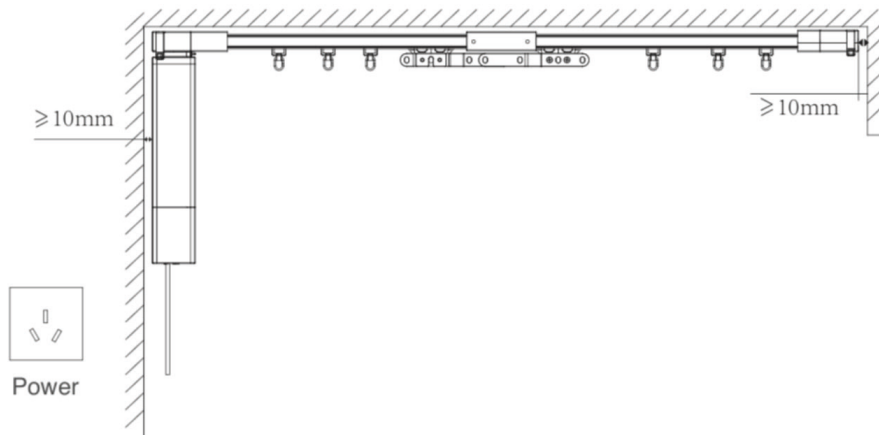
TECHNICAL SPECIFICATIONS: INSTALLATION

ABALON
MOTORIZED CURTAINS

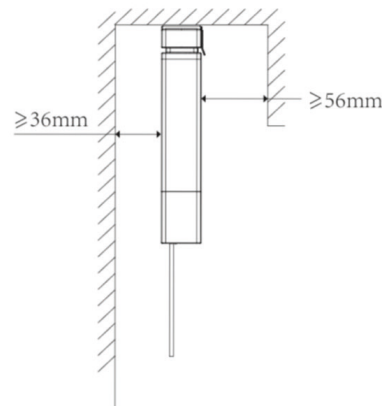
Keep life simple!

For the installation, some considerations need to be taken for proper operation:

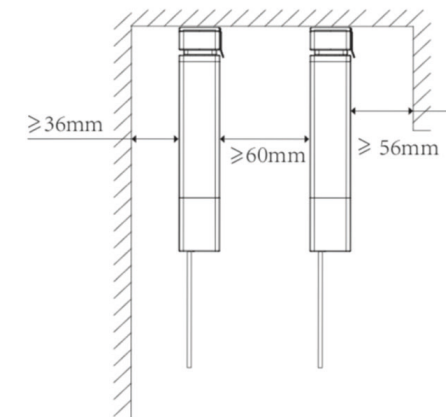
Note: Install motor close to an electrical point.



Single Track Installation



Double Track Installation



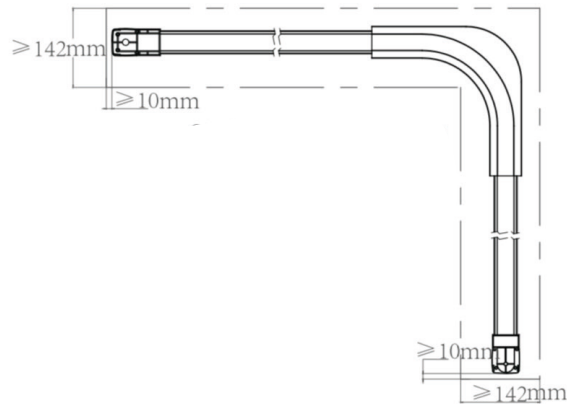
TECHNICAL SPECIFICATIONS: INSTALLATION

ABALON
MOTORIZED CURTAINS

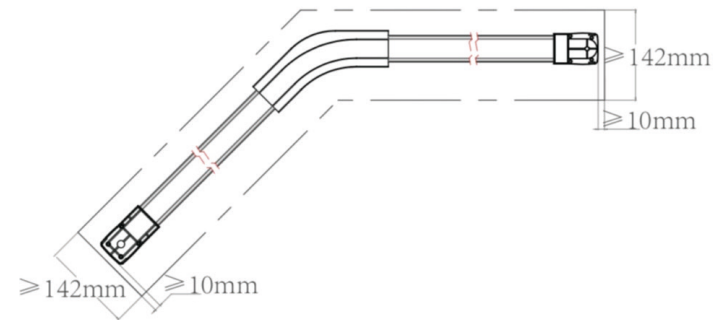
Keep life simple!

For the installation, some considerations need to be taken for proper operation:

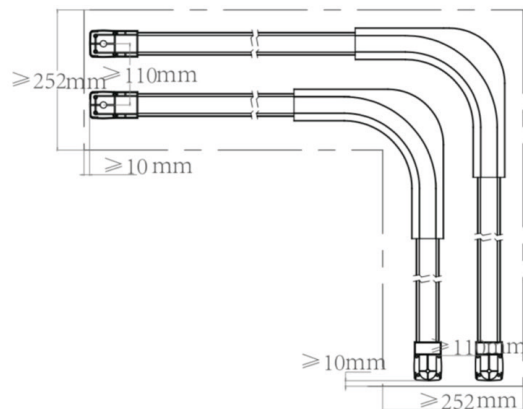
Single Track with 90° Angle



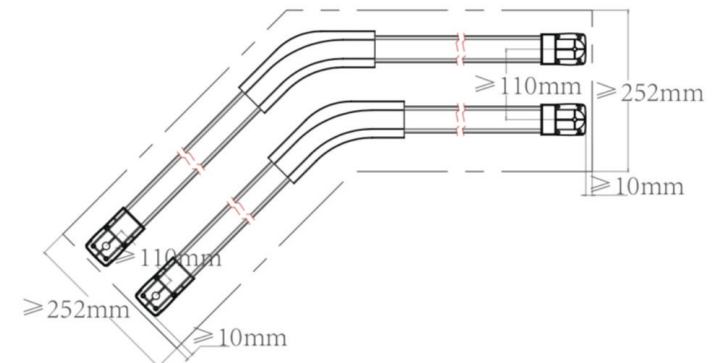
Single Track with 135° Angle



Double Track with 90° Angle



Double Track with 135° Angle





ABALON

MOTORIZED CURTAINS

Keep life simple!

PACIFIC HOGAR S.L.U.
Carretera M-106, km 1.9, Pol. Ind. Garza 1 - Naves 1 y 2
28110, Algete. Madrid, Spain
(+34) 916 237 780

www.abalontracks.com